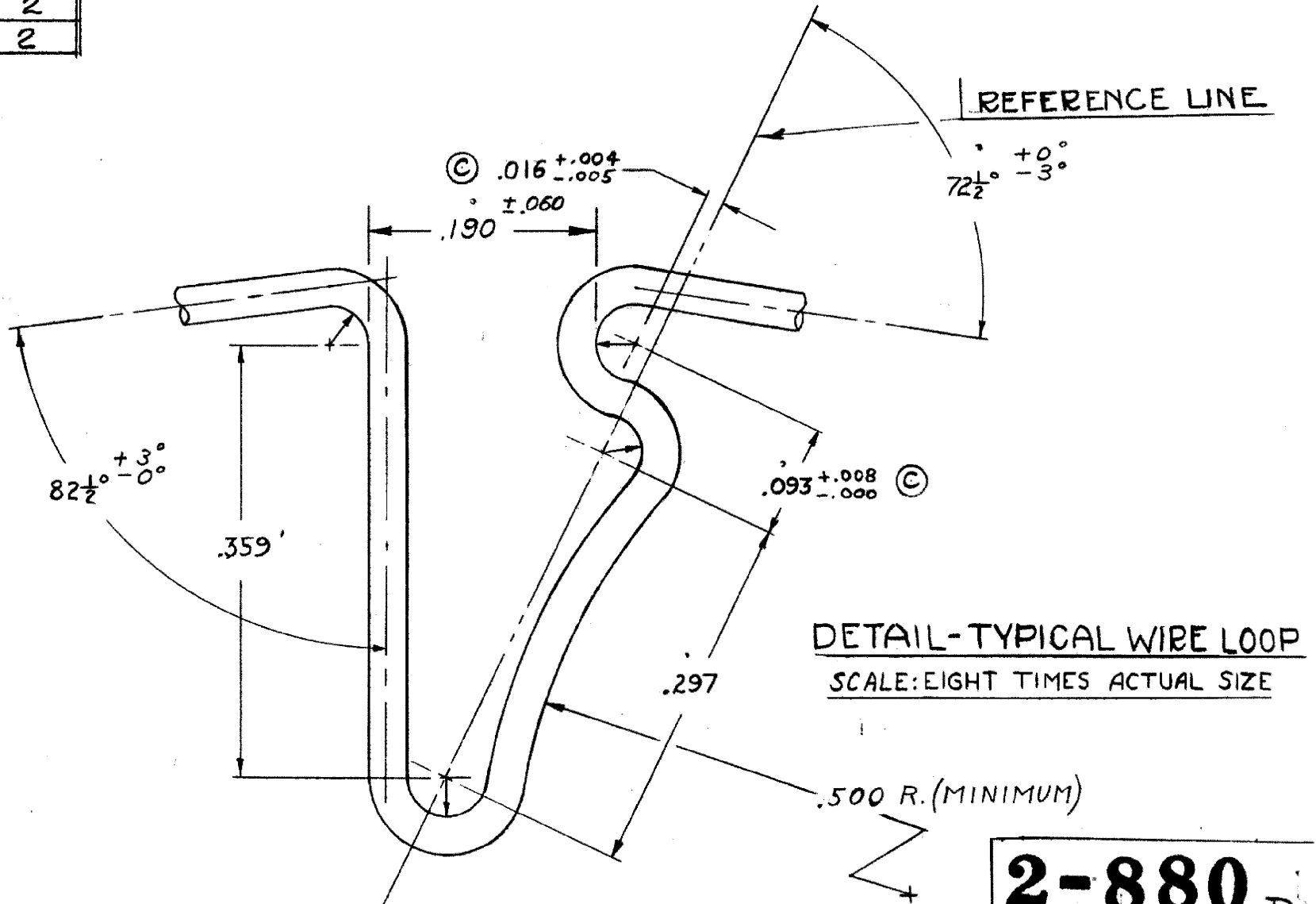


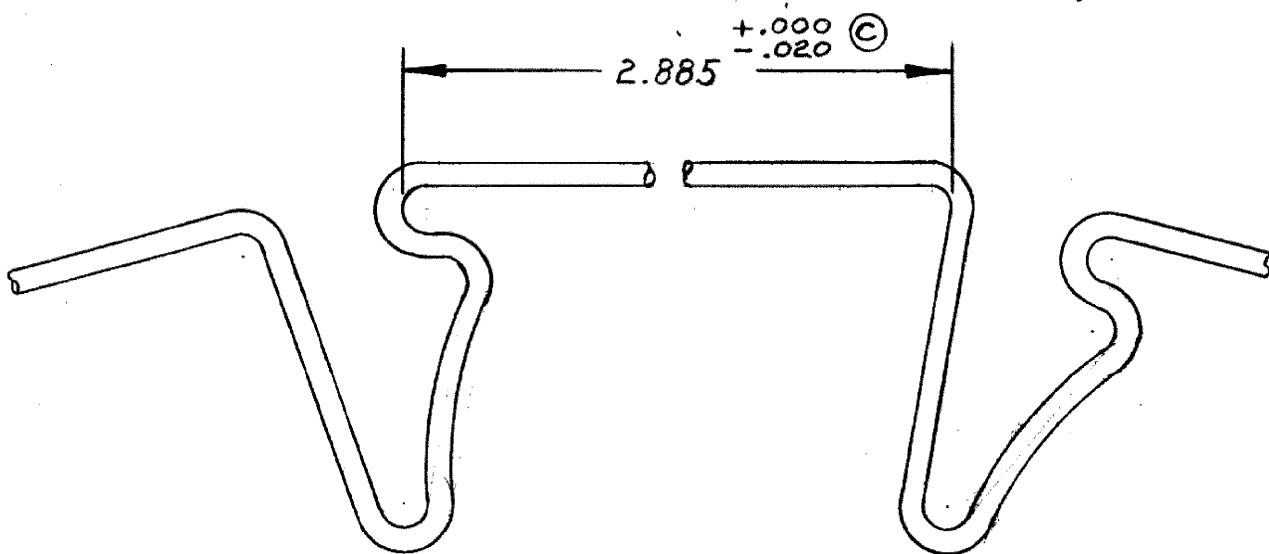
TOLERANCES UNLESS OTHERWISE SPEC.			WT. ACT.	FINISH LEAD COATED, TINNED, OR CAD. PLATE	HEAT TREAT	DATE PRINTED
SHEET METAL ± .030	MACHINING ± .010	ANGLES ± 1/4°	WT. CALC.	PART NO.	SIZE	SCALE NOTED
MODEL	NEXT ASSEM.	NO. REQ'D PER. ASSEM.	PLANE	DR.	DESCRIPTION	SPECIFICATION
TA	2-886-5	1	2	R. Hempstead 8-10-46	2-880 .031 DIA.	SPRING MUSIC WIRE AN-W-17
11A	2-886-5	1	2	E. Doble 8-12-46		
11B	2-886-5	1	2			
11C	2-886-5	1	2			
7BCM	2-886-5	1	2			
7CCM	2-886-5	1	2			
7DC	2-886-5	1	2			



2-880 D

NOTES:

1. ALL BEND RADII .031 ± .008
2. TOLERANCE FOR .359 AND .297 DIMENSIONS IS ±.030 WITH THE PROVISION THAT THE DIFFERENCE BETWEEN DIMENSIONS IS NOT LESS THAN .057 OR MORE THAN .067.
3. AN-QQ-W-423 COND. B MAY BE USED AS AN ALTERNATE MATERIAL.
4. IT IS PERMISSIBLE .500 RADIUS TO INCREASE TO INFINITY, WHERE WIRE BECOMES STRAIGHT.



SCALE: FOUR TIMES ACTUAL SIZE

		D	REVISED B/M	MIGTZ	4/30/48
TO BE DETERMINED		C	SEE CHANGE NOTE.	CARTER	9-19-46
		B	REVISED - REDRAWN	HEMPSTEAD	8-10-46
		A	ADDED NEXT ASS'Y CALLOUTS	LARGENT	3-26-46
EFFECTIVITY AIRPLANE SETS	E. O. 'S. INCLUDED	LET.	CHANGE	BY	DATE
REVISIONS					