

AERONAUTICAL CORP. OF AMERICA
 LUNKEN AIRPORT CINCINNATI, O., U.S.A.

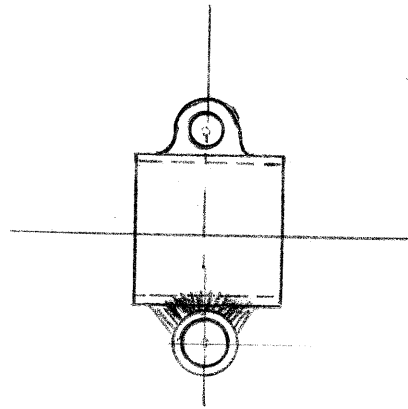
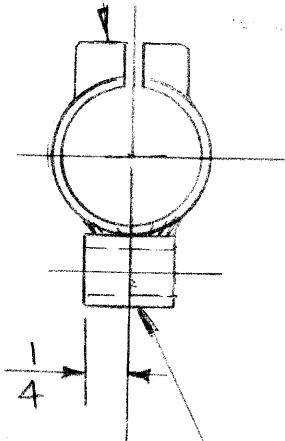
CLAMP
 AUX GAS TANK-STRAP

1-280

MODEL LETTER	FOR ASS'Y.	NO. REQUIRED		WEIGHT	
		PER ASS'Y.	PER SHIP	CALCUL.	ACTUAL
K	7-16	2	2		

DRAWN	CHECKED	APPROVED	DATE OF PRINTING
a. J. Davis 5-5-37	F.H. 5-5-37	Schlemmer 5-5-37	
MATERIAL: AS NOTED			SCALE: FULL SIZE
			FINISH: BLACK ENAMEL

1-195-3



1-119-0-16
 1 RECD

F				
E				
D				
C				
B				
A				
LET	CHANGE	SERIAL NO.	DATE	BY