

**AERONAUTICAL CORP. OF AMERICA**  
 LUNKEN AIRPORT CINCINNATI, O., U.S.A.

CLIP  
 COWLING - BOEING TYPE

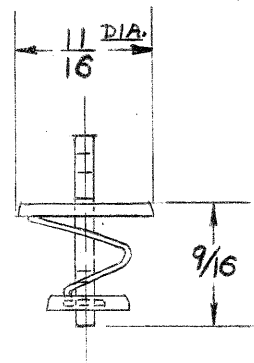
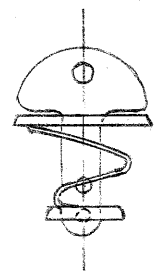
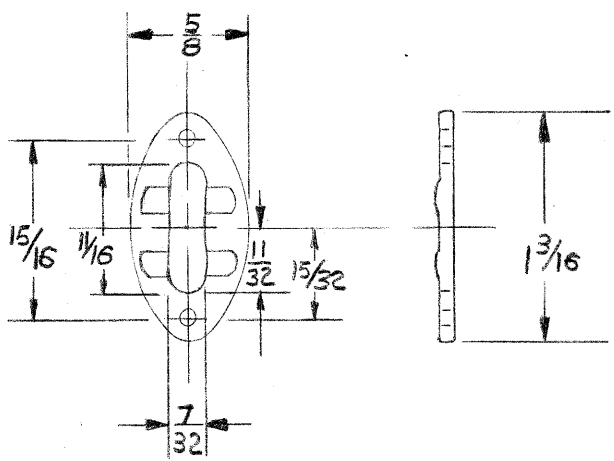
**1-197**

MODEL LETTER	FOR ASS'Y.	NO. REQUIRED		WEIGHT	
		PER ASS'Y.	PER SHIP	CALCUL.	ACTUAL
ALL					

DRAWN	CHECKED	APPROVED	DATE OF PRINTING
4/14/37 H. Beaver	F.H. 4-16-37	Schlemmer 4-16-37	
MATERIAL: AS NOTED			SCALE: FULL SIZE
			FINISH: NONE

1-197-2

1-197-1



NICHOLAS BEAZLEY No BAC 701

NICHOLAS BEAZLEY No BAC 700-2

F				
E				
D				
C				
B				
A				
LET	CHANGE	SERIAL NO.	DATE	BY