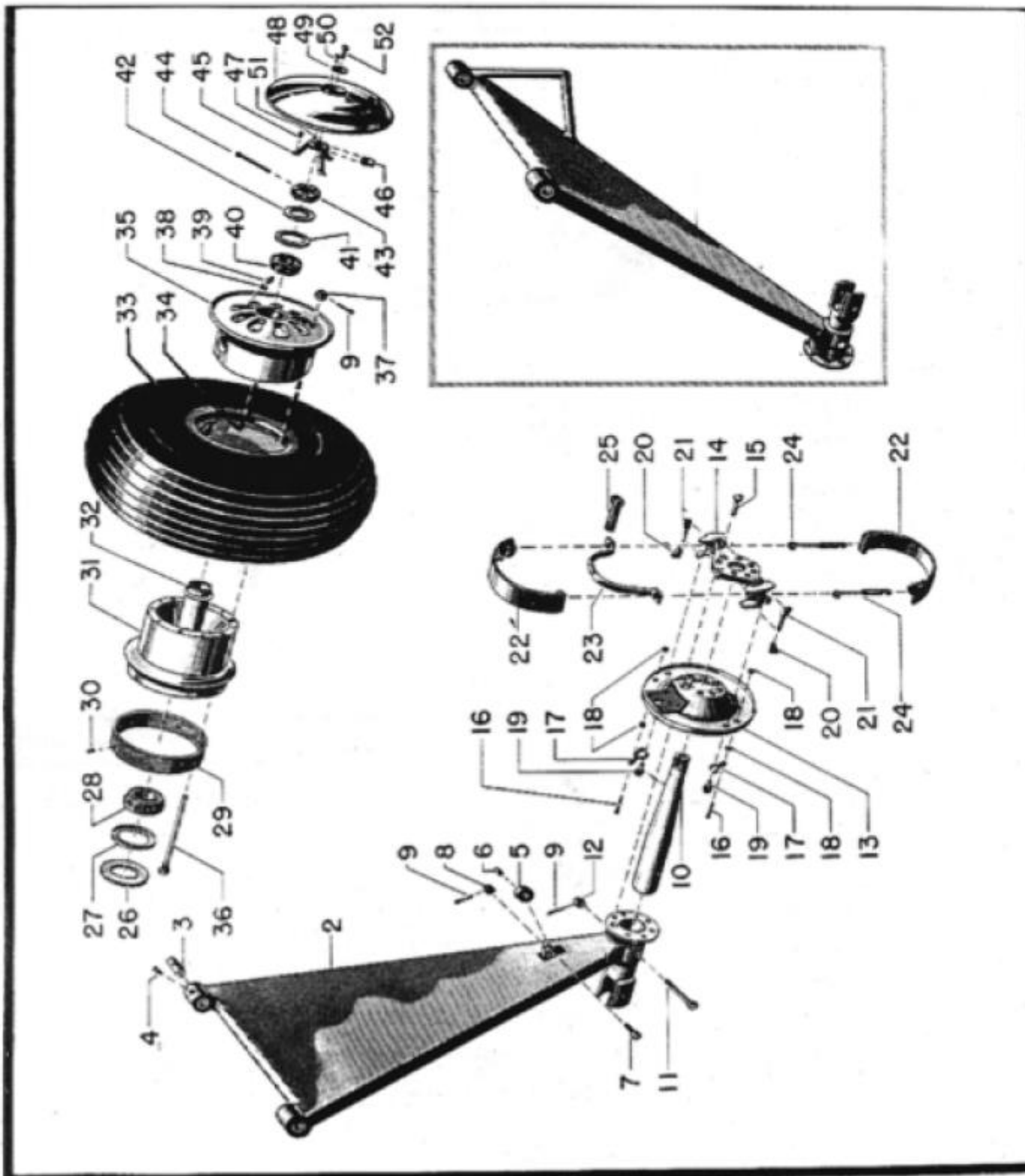


RESTRICTED
AN 01-135DA-4
SECTION II—GROUP ASSEMBLY PARTS LISTS



RESTRICTED
AN 01-135DA-4
SECTION II—GROUP ASSEMBLY PARTS LISTS

FIG. NO.	INDEX NO.	GROUP ALIGHTING GEAR						UNITS PER ASSY	PROPERTY CLASSIFICATION			
		MAJOR ASSEMBLY		LANDING GEAR ASSY					U.S. NAVY	U.S. ARMY	BR	
		PART NUMBER	1	2	3	4	5					6
		DCO-A532L						Wheel, Tire, Tube, and Brake Installation	1		01-U	
39	13	DCO-A548R/L						Shield Assy - Brake Dust	1		01-U	
39	14	6CA27						Plate Assy - Anchor - Left - Firestone	1		03-B	
		6CA26						Plate Assy - Anchor - Right - Firestone	1		03-B	
39	15	AN510-10-8						Screw - Flthd Machine	7		29	
39	16	6CP95						Pin - Cotter - Firestone	2		03-B	
39	17	6CP45						Clip - Firestone	2		03-B	
39	18	6CP94						Washer - Firestone	4		03-B	
39	19	6CP44						Nut - Shoe Adjusting - Firestone	2		03-B	
39	20	6CP46						Wedge - Shoe Adjusting - Firestone	2		03-B	
39	21	6CP47						Bolt - Shoe Adjusting Wedge - Firestone	2		03-B	
39	22	6CA12						Shoe Assy - Brake - Firestone	2		03-B	
39	23	6CP96						Arm - Cam - Firestone	1		03-B	
39	24	6CP63						Spring - Brake Shoe - Firestone	2		03-B	
39	25	6CP66						Link - Cam Arm - Firestone	1		03-B	
39	26	6CP75						Washer - Firestone	1		03-B	
39	27	6CP35						Washer - Firestone	1		03-B	
39	28	08125						Bearing - Wheel - 1-1/4 In. - Timken	1		29	
39	29	6CP51						Lining - Brake - Firestone	1		03-B	
39	30	6CP128						Rivet - Brake - Firestone	As Req		03-B	
39	31	6CA51						Half Wheel - Inner - Firestone	1		03-B	
39	32	6CP20						Tube - Axle Shield - Firestone	1		03-B	
39	33	6:00 x 6						Tire - 4P16 (Static Ground) - Firestone (DCO-9087)	1		04-B	
39	34	8* 6:00 x 6						Tube - Firestone (A-93) (Applicable beginning Serial No. 43-306)	1		04-B	
39	34	5* 6:00 x 6						Tube - Firestone (DCO-9088) (Applicable through Serial No. 43-305)	1		04-B	
39	34	9* 6:00 x 6						Tube - Firestone (DCO-9088)	1		04-B	
39	35	6CA9						Half Wheel - Outer - Firestone	1		03-B	
39	36	6CP27A						Bolt - Assy - Firestone	3		03-B	
39	37	AN310-4						Nut - Castle	3		04-A	
39	9	AN380-2-2						Pin - Cotter	3		29	
39	38							Nut - Valve Stem	1			
39	39							Cap - Valve	1			
39	40	A6075						Bearing - Wheel - 3/4 In. - Timken	1		29	
39	41	6CP34						Washer - Firestone	1		03-B	
39	42	A-500						Washer	1		01-U	
39	43	AN320-12						Nut - Shear	1		04-A	
39	44	AN380-3-4						Pin - Cotter	1		29	
39	45	6CP38						Tripod - Firestone	1		03-B	
39	46	6CP102						Nut - Tripod - Firestone	1		03-B	
39	47	6CP41						Screw - Tripod - Firestone	3		03-B	
39	48	DCO-5038						Cap Assy - Hub	1		01-U	
39	49	DCO-5039						Washer	1		01-U	
39	50	S-490 x 1/4						Rivet - Steel - J. L. Thompson (B-9063)	2		29	
39	51	AN960-6						Washer - Plain	2		04-A	
39	52	AN515-8-10						Screw - Rd-Hd Machine (Case Hardened)	1		29	

FIG. NO.	INDEX NO.	GROUP ALIGHTING GEAR						UNITS PER ASSY	PROPERTY CLASSIFICATION			
		MAJOR ASSEMBLY		LANDING GEAR ASSY					U.S. NAVY	U.S. ARMY	BRITISH	
		PART NUMBER	1	2	3	4	5					6
38	1	1* D-A50R/L							1		01-U	
38	1	6* DCO-A525R/L							1		01-U	
		1* D-A538R/L							1		01-U	
		6* DCO-A562R/L							1		01-U	
39	1	1* D-A561R							1		01-U	
39	1	6* DCO-A563R							1		01-U	
39	2	1* D-A561L							1		01-U	
39	2	6* DCO-A563L							1		01-U	
39	3	A-520							1		01-U	
39	4	No. 6 x 1/4							2		01-U	
39	5	AN111-8							2		29	
39	6	A-303-2							1		01-A	
39	7	AN3-6							1		29	
39	8	AN320-3							1		01-A	
39	9	AN380-2-2							1		01-A	
39	10	D-56							1		29	
39	11	AN5-20							1		01-U	
39	12	AN310-5							1		01-A	
39	9	AN380-2-2							1		01-A	
									1		29	

RESTRICTED