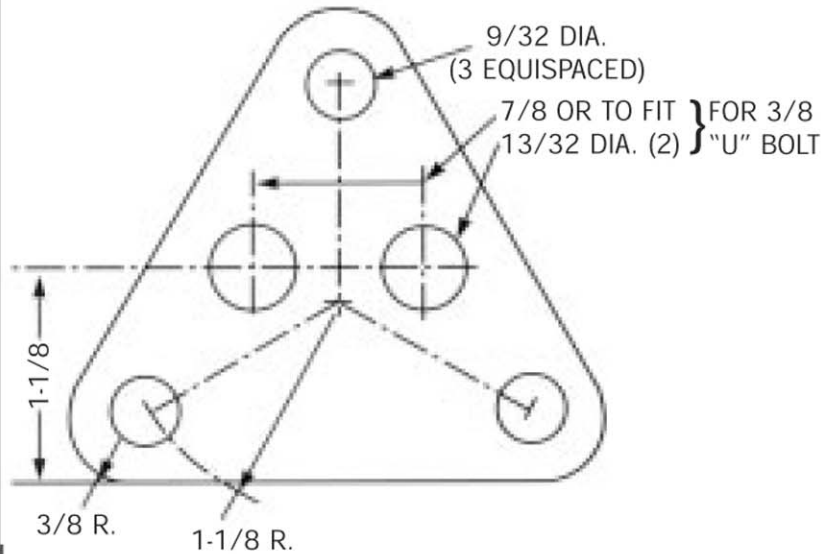
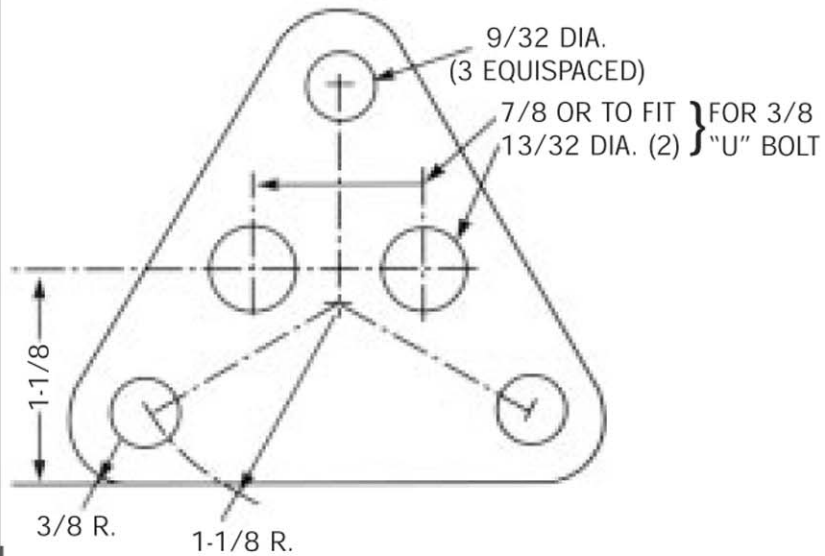


WING PLATE - 2 REQ.



WING PLATE - 2 REQ.



TAIL PLATE - 1 REQ.

