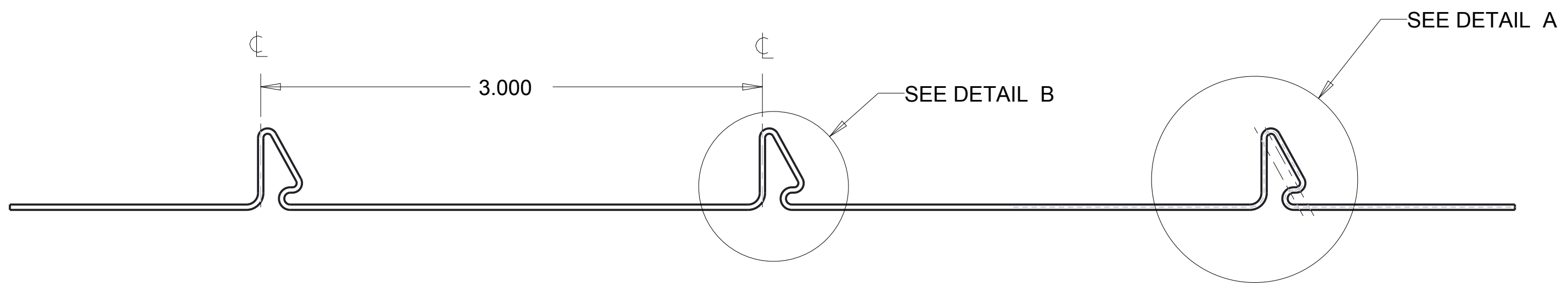
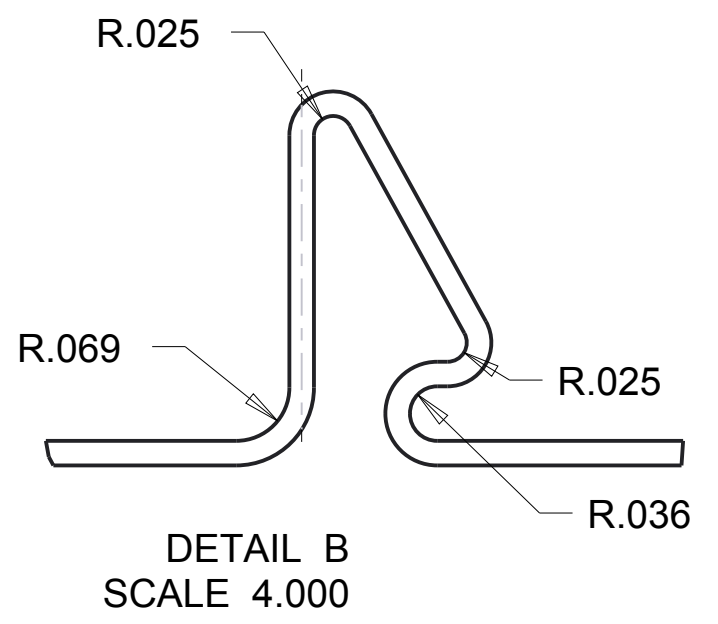
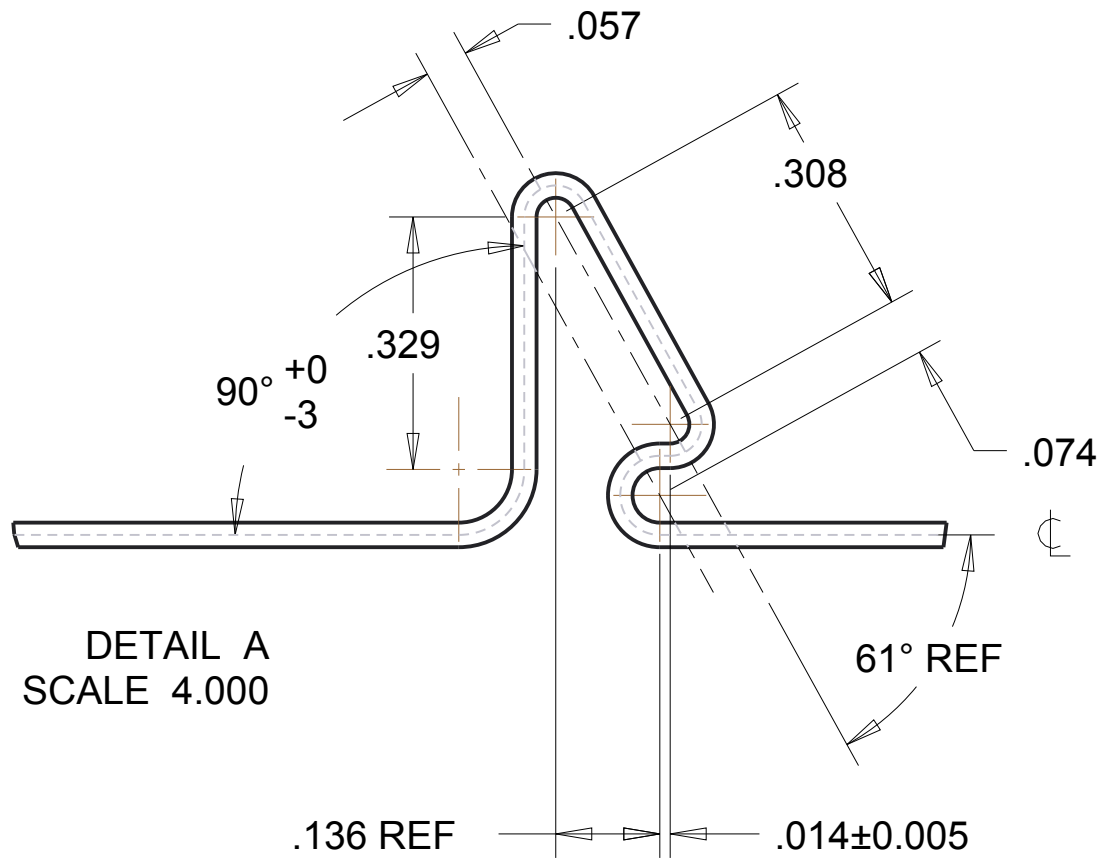


1	2		3	4		5	6	7
THICKNESS	MATERIAL	FINISH	REV	LINE	ZONE	NAME	DATE	DESCRIPTION
0.032" DIA	302 STAINLESS STEEL WIRE	NONE	-8			J. ANDERSON	05-JAN-2016	ORIGINAL RELEASE



	QTY	LENGTH
L1		
L2		
L3		25 FT

TOLERANCES UNLESS OTHERWISE SPECIFIED .XXX ± 0.010 .XX ± 0.03 .X ± 0.1 ANG ± 3.0 SHEETMETAL BENDS AND FRACTIONS ±1/16 GEOMETRIC DIMENSIONING & TOLERANCING PER ANSI Y14.5M-1982 ALL DIMENSIONS IN INCHES UNLESS NOTED	DESCRIPTION: -		APPR	DATE
	PART NAME: WIRE_CLIP		ME	
	DRAWN: J. ANDERSON	DATE: 05-Jan-2016	MFG	
	THIRD ANGLE PROJECTION		MGR	
DO NOT SCALE DRAWING	DRAWING: WIRE_CLIP		COMPUTER GENERATED	
	SCALE: 1.59 : 1		SIZE: B	
	SHEET: 1 of 1			