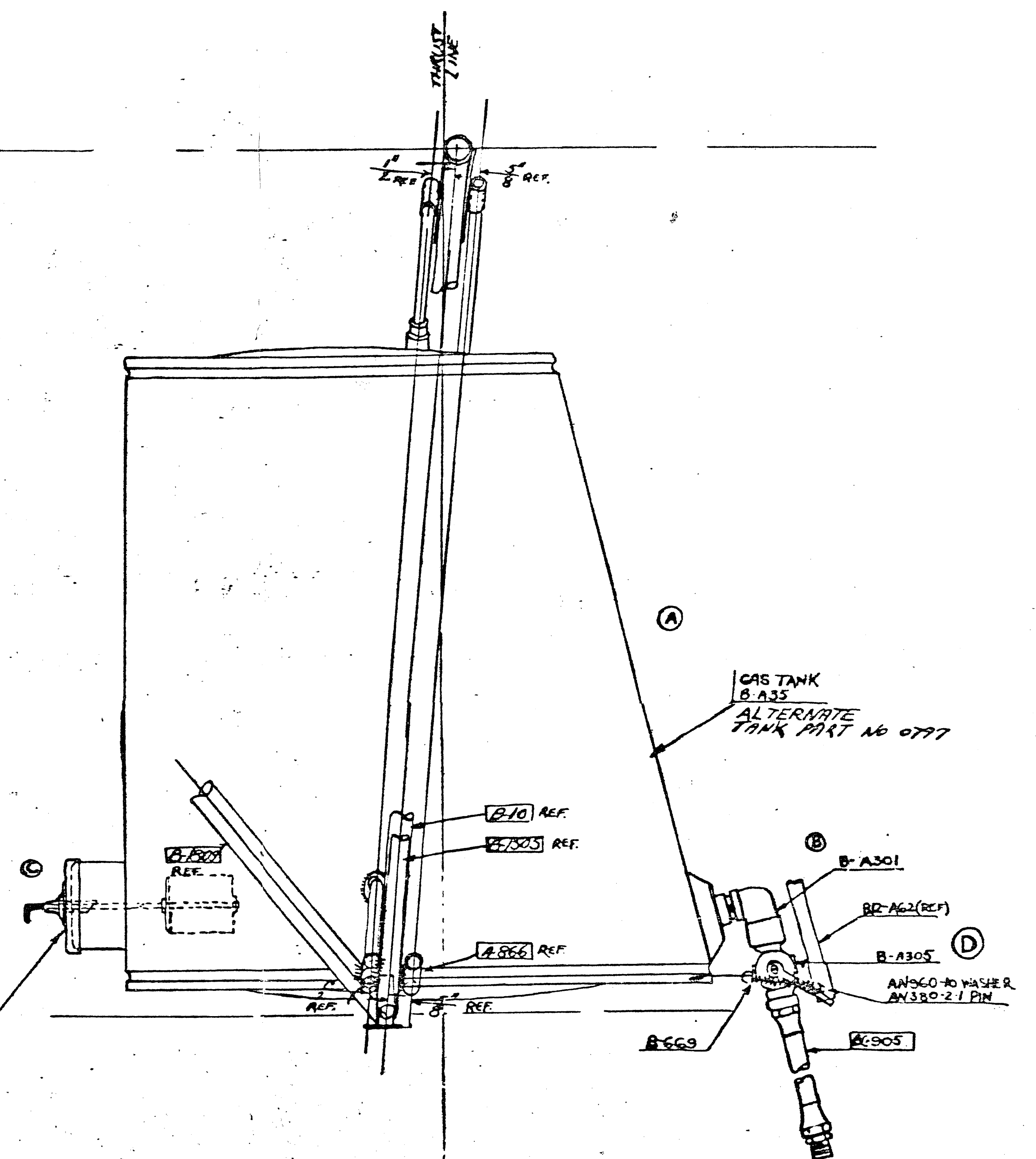
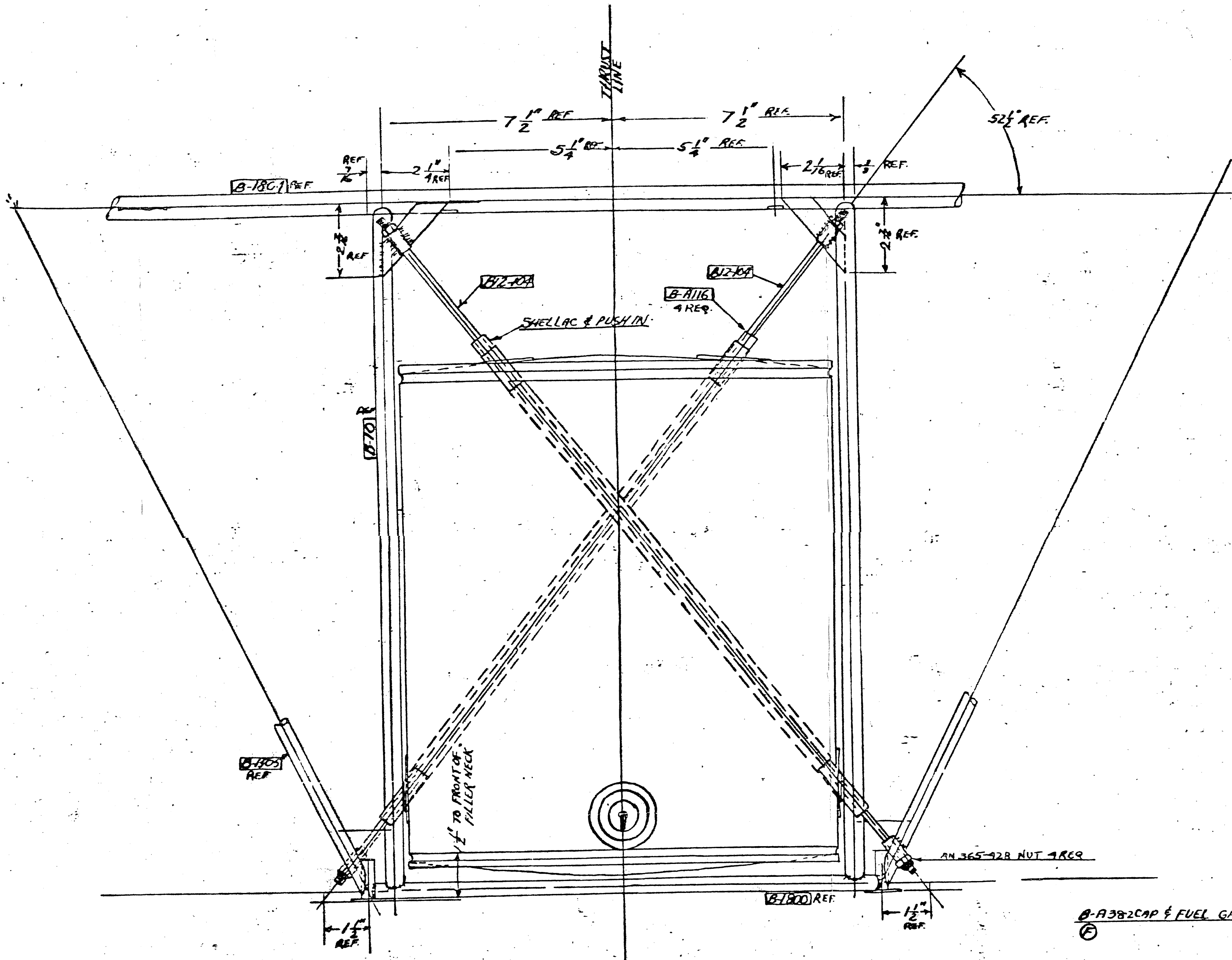


NOTES: 1. FOR A & B ONLY MODEL...
 2. MAXIMUM...
 3. SPEC...
 4. ALL...
 5. REF...
 6. REF...
 7.



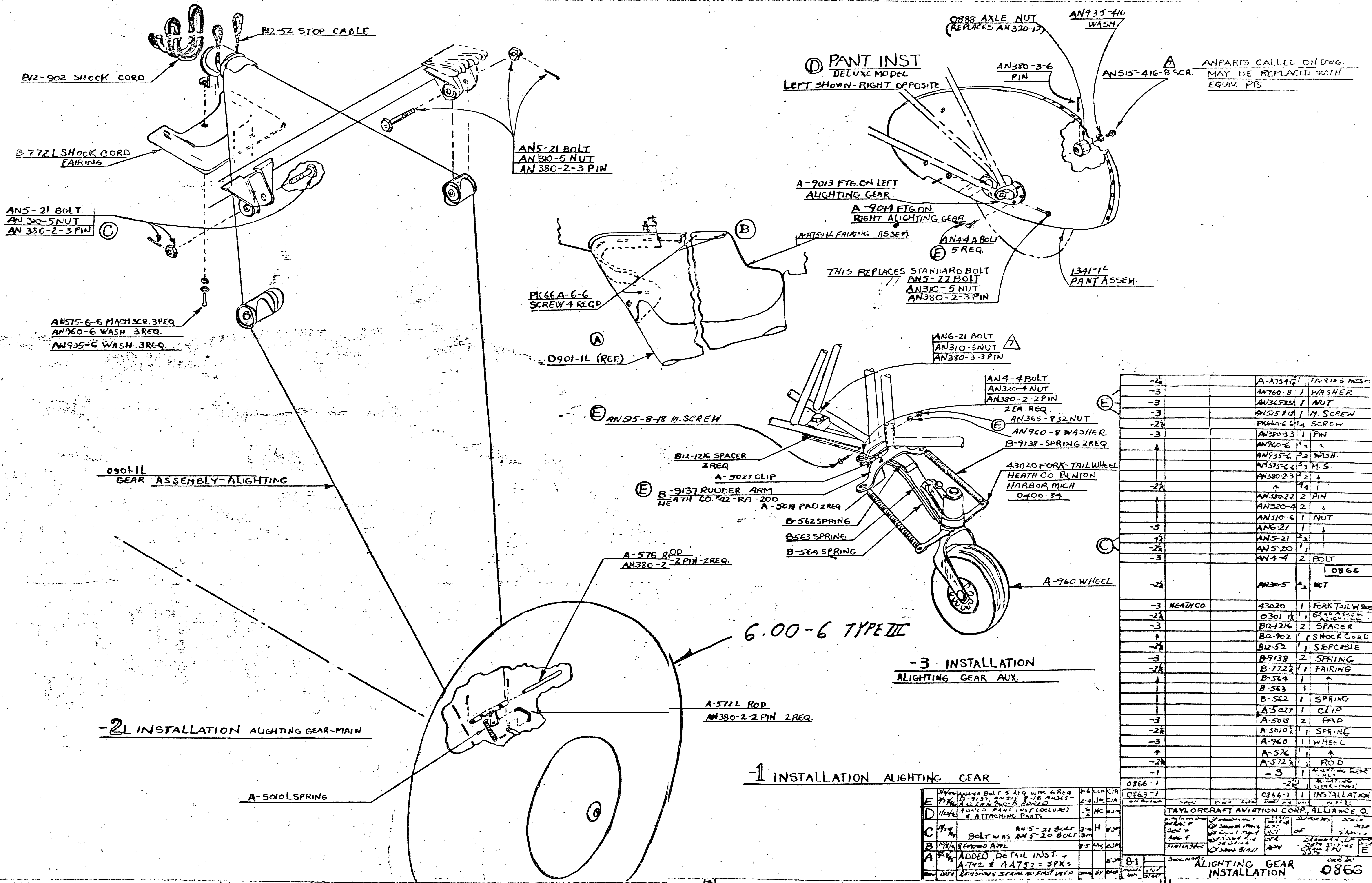
① INSTALLATION DWG B12-1108-1 FOR MODEL BC12D85
 USE PART NO 2576 IN PLACE OF BC-905
 ALL OTHER PARTS SAME AS B12-108

- ① 0834 -1
 - ② B12-1108
 - ③ B12-1108
 - ④
 - ⑤
- B12-A62 1 SHOTOFF ASSY
 - AN360-10 1 WASHER
 - AN380-2-1 1 PIN
 - B-1938-1 1 GAS CONSOLE
 - AN365-228 4 NUT
 - B12-104 2 TIE ROD
 - B-A116 4 RUBBER TUBE
 - B-A301 1 ELBOW / SCREW
 - B-669 1 SPRING
 - BC-905 1 GAS LINE
 - B-A305 1 SHUT-OFF
 - B-A35 1 TANK
 - B12-1108 1 INSTAL

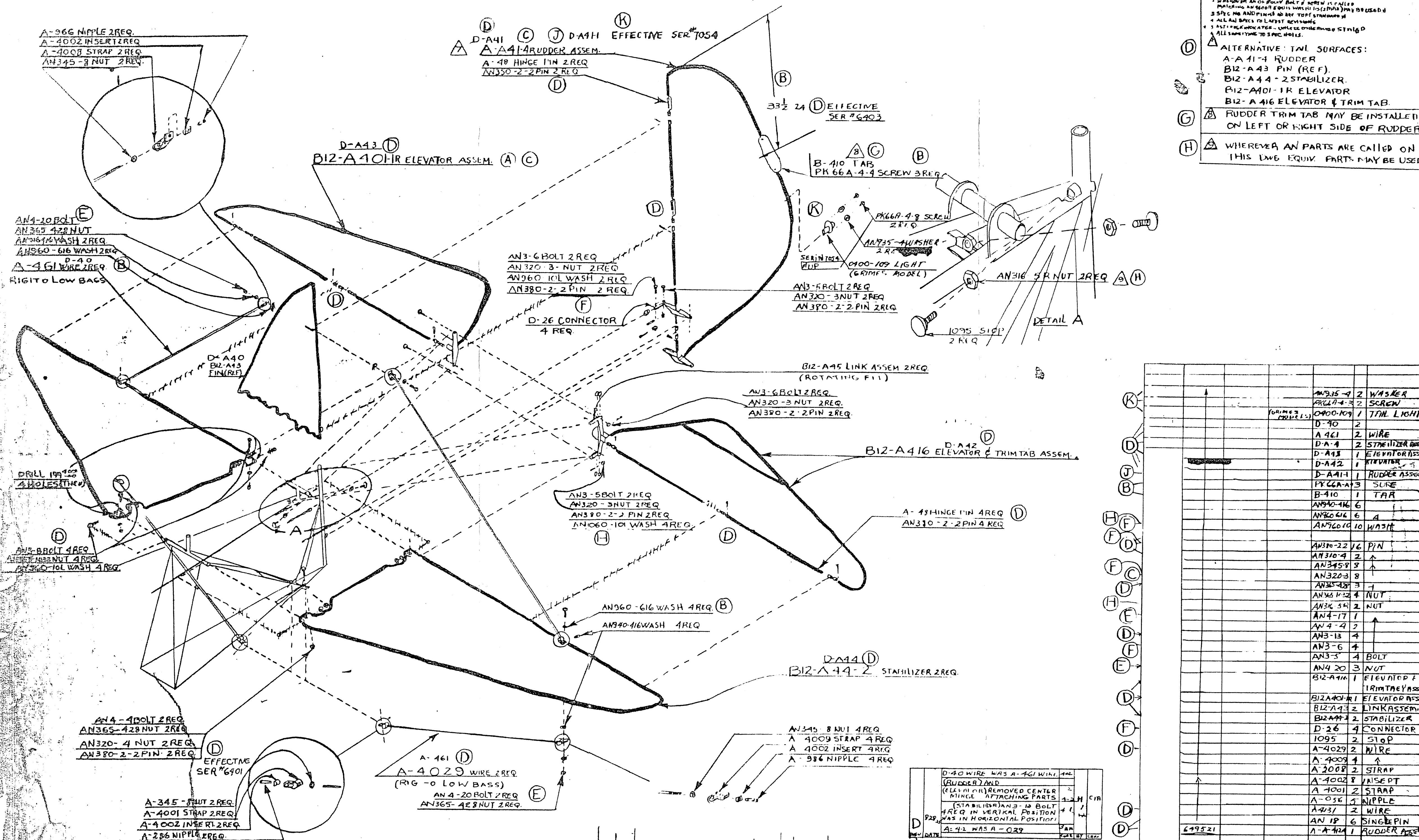
BC12-D-85
 N 2 1/4" ADDED NOTE FOR BC12D85 3/4 KT BY B12-1165
 G 2 1/4" BE 905 WAS 8 - 5005 AN360 1/4 KT BY B12-1165
 F 2 1/4" 1938-2 WAS B1938-1 3/4 KT BY B12-1165
 E 2 1/4" ADDED 0797 ALTERNATE 1/2 KT BY B12-1165
 D 2 1/4" ADDED 0797 ALTERNATE 1/2 KT BY B12-1165
 C 2 1/4" ADDED B-A116 4 RUBBER TUBE 1-4 GC-CIA B12-1165
 B 2 1/4" ADDED B-A301 1 ELBOW / SCREW 1-4 GC-CIA B12-1165
 A 2 1/4" ADDED B-A305 1 SHUT-OFF 1-4 GC-CIA B12-1165

TAYLORCRAFT AVIATION CORP. ALLIANCE, O.
 1000 W. 10TH ST. ST. LOUIS, MO. 63103
 TEL: 314-733-8000 FAX: 314-733-8001
 WWW: WWW.TAYLORCRAFT.COM

FUSELAGE GAS TANK INSTALLATION B12-1108

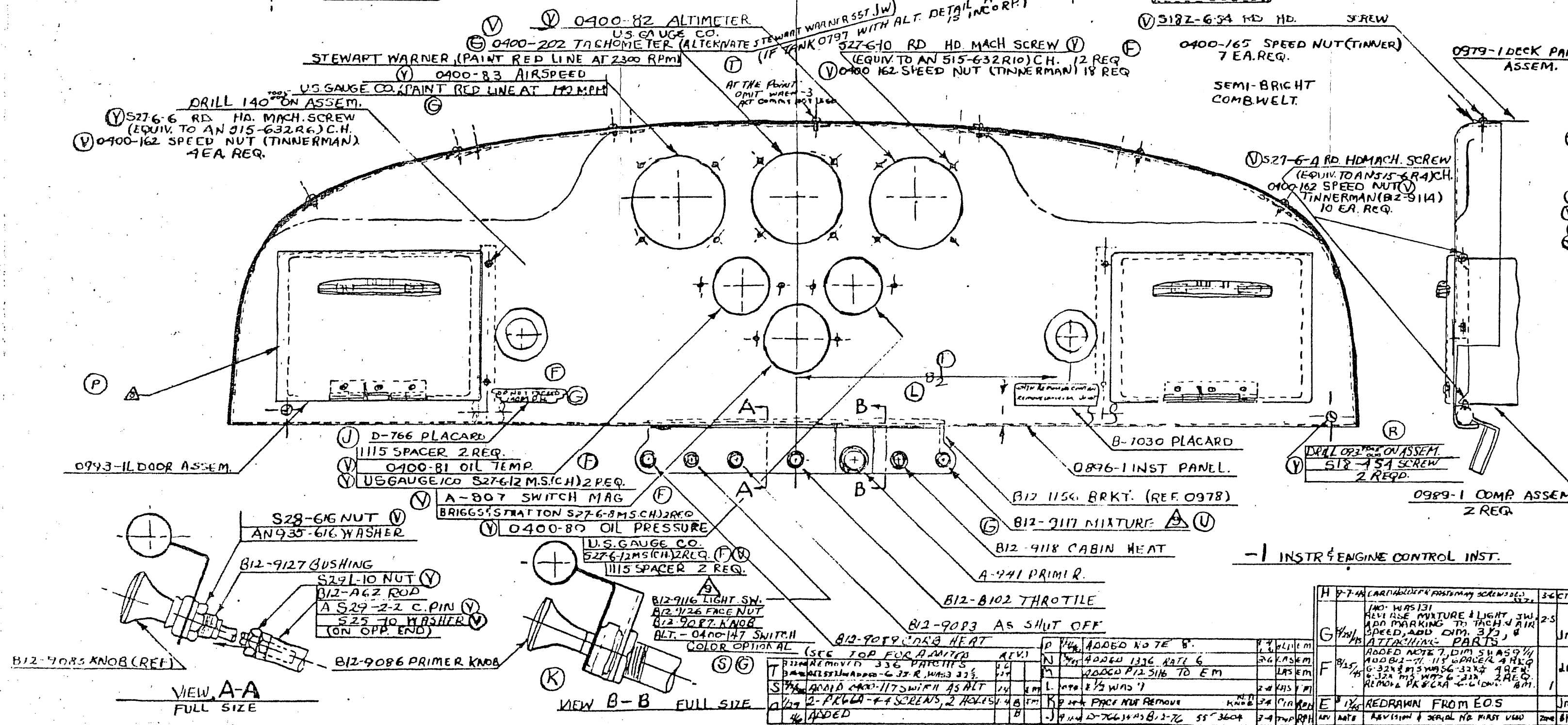
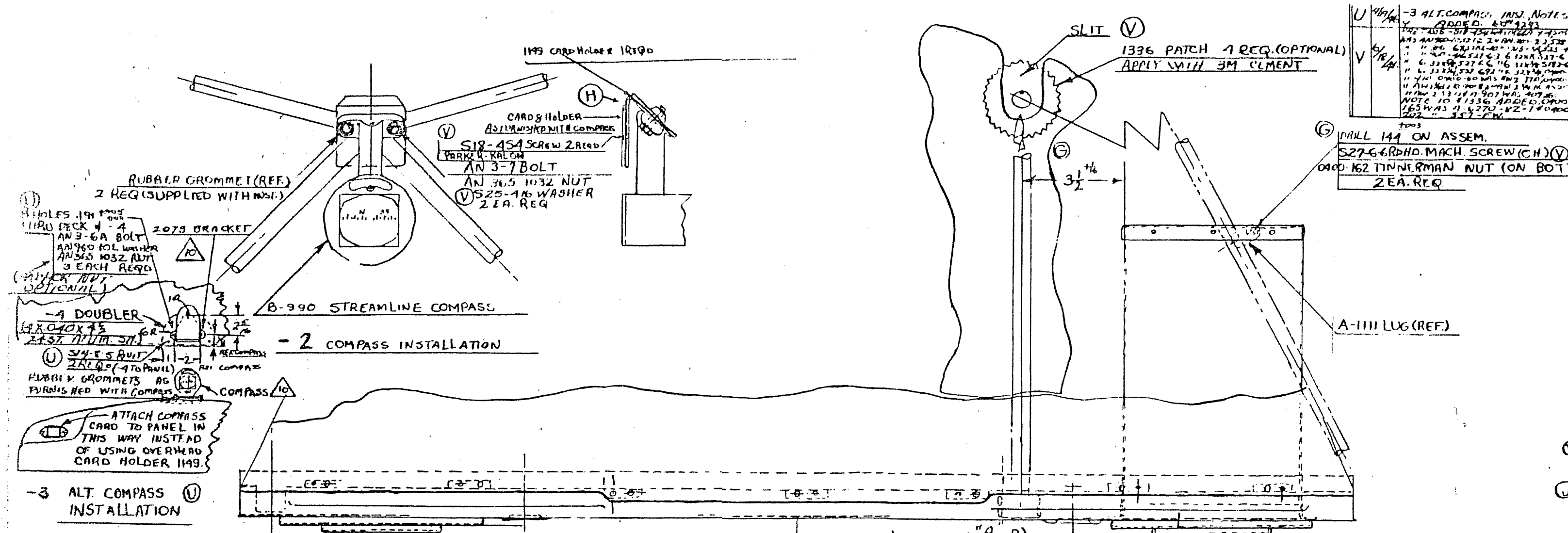


-2	A-A754	1	FAIRING MESH
-3	AN760-8	1	WASHER
-3	AN365F32	1	NUT
-3	AN515-18	1	M. SCREW
-2	PK66A-6	4	SCREW
-3	AN380-3-3	1	PIN
-3	AN960-6	3	WASH.
-3	AN935-6	3	WASH.
-3	AN575-6	3	M. S.
-3	AN380-2-3	2	A
-2	A	7	A
-2	AN380-2-2	2	PIN
-3	AN320-4	2	A
-3	AN310-6	1	NUT
-3	AN6-21	1	B
-2	AN5-21	2	A
-2	AN5-20	1	A
-3	AN4-4	2	BOLT
-2	AN305	2	NUT
-3	HEATHCO	43020	1 FORK TAIL WHEEL
-2	O301	1	GEAR ASSEMBLY ALIGHTING
-3	B12-12K	2	SPACER
-2	B2-902	1	SHOCK CORD
-2	B12-52	1	SEPCABLE
-3	B-9138	2	SPRING
-2	B-772L	1	FAIRING
-2	B-564	1	A
-2	B-563	1	A
-2	B-562	1	SPRING
-3	A-5027	1	CLIP
-3	A-5018	2	PAD
-2	A-5010	1	SPRING
-3	A-960	1	WHEEL
-2	A-576	1	A
-2	A-572L	1	ROD
-1	-3	1	ALIGHTING GEAR ASSEMBLY
0866-1			0866-1
0866-1			0866-1
	TAYLORCRAFT AVIATION CORP. ALLIANCE CO.		
			ALIGHTING GEAR INSTALLATION 0866



REV	DATE	DESCRIPTION	BY	CHK
K	7/2	CHANGES TAIL LIGHT ATTACHING PARTS EFF SER#7054 APPROV.	A	A
J	7/2	ADD D-A41 WAS D-MISER BC3721	A	A
I	7/1	ADDED NOTE 9		
H		ADDED DETAIL A 1095 STOP, AN315-8A NUT		
G		ADDED NOTE 8 RO 3630		
F	7/1	ADDED AN319-4-1 NUTS 178 NUTS 2 REQ 24 WASHES 20371 A-A414 WASHES A-412		
E	7/1	CALL 10 WIRE FOR TAIL CONTACT WITH ALTERNATIVES IN NOTE 7		
D	7/1	AN315-8-17 4 REQ WAS AN312		
C				
B				
A				

ITEM	QTY	DESCRIPTION
AN345-8	2	WASHER SCREW
PK66A-4-3	2	TAIL LIGHT
D-40	2	
A-461	2	WIRE
D-A-4	2	STABILIZER
D-A43	1	ELEVATOR ASSEM
D-A42	1	ELEVATOR
D-A41-1	1	RUDDER ASSEM
PK66A-4-3	1	SCREW
B-410	1	TAB
AN345-8	6	
AN30-6	6	
AN36016	10	WASHER
AN310-22	16	PIN
AN310-4	2	
AN345-8	8	
AN320-3	8	
AN345-8	3	
AN36016	4	NUT
AN36 34	2	NUT
AN4-17	1	
AN4-4	2	
AN3-13	4	
AN3-6	4	
AN3-3	4	BOLT
AN4-20	3	NUT
B12-A416	1	ELEVATOR & TRIM TAB ASSEM
B12-A40-1	1	ELEVATOR ASSEM
B12-A43	2	LINK ASSEM
B12-A44	2	STABILIZER
D-26	4	CONNECTOR
1095	2	STOP
A-4029	2	WIRE
A-4009	4	
A-4008	2	STRAP
A-4002	8	INSERT
A-4001	2	STRAP
A-056	5	NIPPLE
A-431	2	WIRE
AN 18	6	SINGLE PIN
A-A 414	1	RUDDER ASSEM



U	1	1336	4	PATCH
V	1	132-7116	1	LIGHT SWITCH
V	2	S18-454	2	SCREW
V	2	1149	2	BRACKET
V	1	1115	1	SPACER
V	1	D-766	1	PLACARD
V	1	O896-1	1	INST. PANEL
V	1	S25-10	1	WASHER
V	1	S27-28	1	C PIN
V	1	A193568	1	WASHER
V	1	S28-68	1	NUT
V	1	O923-18	1	DOOR ASSEMBLY
V	2	O989-1	2	COMPART. ASSY.
V	1	O979-1	1	DECK PANEL ASSY.
V	1	S28-10	1	NUT
V	2	S25-10	2	WASHER
V	1	O400-165	1	SPEED NUT
V	2	O400-162	2	SPEED NUT
V	2	A193568	2	NUT
V	10	S27-6	10	RD. HD. MACH. SCREW
V	2	S27-6-8	2	MACH. SCREW
V	12	S27-6-10	12	MACH. SCREW
V	6	S27-6-6	6	MACH. SCREW
V	7	S27-6-4	7	RD. HD. MACH. SCREW
V	4	S27-6-12	4	MACH. SCREW
V	2	AN 3-7	2	BOLT
V	1	B-990	1	COMPASS
V	1	O894	1	DOOR ASSEMBLY
V	1	O400-80	1	OIL PRESSURE
V	1	O400-82	1	ALTITUDE
V	1	O400-83	1	AIR SPEED
V	1	O400-81	1	OIL TEMP.
V	1	A-907	1	SWITCH MAG.
V	1	O400-202	1	TACHOMETER
V	1	B12-9087	1	KNOB
V	1	B12-A62	1	ROD ASSEMBLY
V	1	B12-912	1	BUSHING
V	1	B12-916	1	FACE NUT
V	1	B12-918	1	CABIN HEAT
V	1	B12-917	1	MIXTURE
V	1	B12-910	1	THROTTLE
V	1	B12-9089	1	CARB. HEAT
V	1	B12-9086	1	PRIMER KNOB
V	1	B12-9085	1	GAS STUD
V	1	B12-924	1	BUTTON
V	1	B-7030	1	PLACARD
V	1	A-941	1	PRIMER
V	2	O894-1	2	COMPASS INST.
V	1	O895-1	1	INST. ENGINE INST.

H	7-4	CARD HOLDER ASSEMBLY SCREWS	2	3	4	NO
G	2	ADD WASHER				
F	1	ADD MARKING TO TACH. AIR SPEED, ADD DIM. 3/2"				
E	1	REDRAWN FROM EOS				

TAYLORCRAFT AVIATION CORP., ALLIANCE CO.	
REV. 1	HALF SIZE
REV. 2	HALF SIZE
REV. 3	HALF SIZE
REV. 4	HALF SIZE
REV. 5	HALF SIZE
REV. 6	HALF SIZE
REV. 7	HALF SIZE
REV. 8	HALF SIZE
REV. 9	HALF SIZE
REV. 10	HALF SIZE
REV. 11	HALF SIZE
REV. 12	HALF SIZE
REV. 13	HALF SIZE
REV. 14	HALF SIZE
REV. 15	HALF SIZE
REV. 16	HALF SIZE
REV. 17	HALF SIZE
REV. 18	HALF SIZE
REV. 19	HALF SIZE
REV. 20	HALF SIZE
REV. 21	HALF SIZE
REV. 22	HALF SIZE
REV. 23	HALF SIZE
REV. 24	HALF SIZE
REV. 25	HALF SIZE
REV. 26	HALF SIZE
REV. 27	HALF SIZE
REV. 28	HALF SIZE
REV. 29	HALF SIZE
REV. 30	HALF SIZE
REV. 31	HALF SIZE
REV. 32	HALF SIZE
REV. 33	HALF SIZE
REV. 34	HALF SIZE
REV. 35	HALF SIZE
REV. 36	HALF SIZE
REV. 37	HALF SIZE
REV. 38	HALF SIZE
REV. 39	HALF SIZE
REV. 40	HALF SIZE
REV. 41	HALF SIZE
REV. 42	HALF SIZE
REV. 43	HALF SIZE
REV. 44	HALF SIZE
REV. 45	HALF SIZE
REV. 46	HALF SIZE
REV. 47	HALF SIZE
REV. 48	HALF SIZE
REV. 49	HALF SIZE
REV. 50	HALF SIZE
REV. 51	HALF SIZE
REV. 52	HALF SIZE
REV. 53	HALF SIZE
REV. 54	HALF SIZE
REV. 55	HALF SIZE
REV. 56	HALF SIZE
REV. 57	HALF SIZE
REV. 58	HALF SIZE
REV. 59	HALF SIZE
REV. 60	HALF SIZE
REV. 61	HALF SIZE
REV. 62	HALF SIZE
REV. 63	HALF SIZE
REV. 64	HALF SIZE
REV. 65	HALF SIZE
REV. 66	HALF SIZE
REV. 67	HALF SIZE
REV. 68	HALF SIZE
REV. 69	HALF SIZE
REV. 70	HALF SIZE
REV. 71	HALF SIZE
REV. 72	HALF SIZE
REV. 73	HALF SIZE
REV. 74	HALF SIZE
REV. 75	HALF SIZE
REV. 76	HALF SIZE
REV. 77	HALF SIZE
REV. 78	HALF SIZE
REV. 79	HALF SIZE
REV. 80	HALF SIZE
REV. 81	HALF SIZE
REV. 82	HALF SIZE
REV. 83	HALF SIZE
REV. 84	HALF SIZE
REV. 85	HALF SIZE
REV. 86	HALF SIZE
REV. 87	HALF SIZE
REV. 88	HALF SIZE
REV. 89	HALF SIZE
REV. 90	HALF SIZE
REV. 91	HALF SIZE
REV. 92	HALF SIZE
REV. 93	HALF SIZE
REV. 94	HALF SIZE
REV. 95	HALF SIZE
REV. 96	HALF SIZE
REV. 97	HALF SIZE
REV. 98	HALF SIZE
REV. 99	HALF SIZE
REV. 100	HALF SIZE

NOTES: 1. FOR C.A.A. REF. ONLY, PART IS OR C.A.A. APP. EQUIV.
 2. WHENEVER AN OR EQUIV. BOLT & SCREW IS CALLED OUT *
 MATCHING AN OR EQUIV. WASHERS (U. MAX.) MAY BE USED *
 3. SPEC. NO. AND FINISH NO. ARE TYPE STANDARD A
 4. ALL FIN. SPECS TO LATEST REVISIONS.
 5. APOSTROPHES - UNLESS OTHERWISE NOTED.
 6. ALL SAFETY TO SPEC. NO. 112 OR TO MFG. SECT.
 7. INSTALLATION 0868-2, ADDL. 0868-1
 USE 0580-2 INSTEAD OF 09-80-1

0980-1 ENGINE INST.

B-A679 COWLING ASSEM.-(TOP)

B-9039 SUP SEAM- COWLING

BC-A6014 COWLING ASSEM.-NOSE.

AN960-10 WASH.
AN380-2-2 PIN
AT THROTTLE

0982-1 PROPELLER INST.

DCO-7322 BOLT
AN320-4 NUT
(SAFETY) SEE NOTE 6
AT MIXTURE CONTROL

B-669 SPRING
D-6114 BOLT
AN320-3 NUT
(SAFETY)
AT AIR SCOOP

CARBURETOR (REF)

MIXTURE CONTROL (REF)

DCO-6209 CLAMP
AN515-6-7 SCREW
AN365-6-32 NUT

B12-910Z CABLE (REF)

FRICION TAPE -
WRAP 18 TIMES

FIREWALL (REF)

D-6114 BOLT
AN320-3 NUT
(SAFETY)
AT CABIN HEATER

B-A68 COWLING ASSEM.-(BOTTOM)

HEATER MUFF (REF)

BC-6209

THROTTLE ACTUATOR (REF)

AN515-6-6 SCREW
AN365-6-32 NUT
AN960-6 WASHER

VIEW A
FROM OPP SIDE

F	B-669	1	SPRING
	AN960-6	1	WASHER
	AN515-6-6	1	SCREW
	BC-6209	1	CLAMP
G	COMMERCIAL FRICION TAPE	1/2	X25
	AN760-10	1	WASH.
	AN380-2-2	1	PIN
			0868
	AN320-4	1	
	AN365-6-32	2	
	AN320-3	2	NUT
	AN515-6-7	1	SCREW
	DCO-7322	1	
E	D-6114	2	BOLT
	0982-1	1	PROPELLER
	BC-A6014	1	COWLING NOSE
	B-A679	1	COWLING ASSEM. TOP
	0980-1	1	ENGINE INST.
	BC-6209	1	CLAMP
	B-A68	1	COWLING ASSEM. BOT.
	B-9039	1	SUP SEAM
	0868-1		
	0863-1		
	0868-1		INST.

VIEW B

D-922	AN960-6 WASHER ADDED		
45	AN365-6-32 NUT (CALLOUT)	1-9	TREM.
	AN515-6-6 SCREW 3/4 (03558)		
	ADDED BC-6209 CALLOUT 3/4		
C 964	ADDED VIEW-A ADDED TO NOTE 6	1-4	T.P. EM
B 824	ADDED DCO-6209 AN515-6-7	2-3	T.B. EM
	AN365-6-32 ADDED VIEW A		
	DCO-7322 WAS AN4-4	2-3	T.P. EM
	INCORPORATED 3/17		

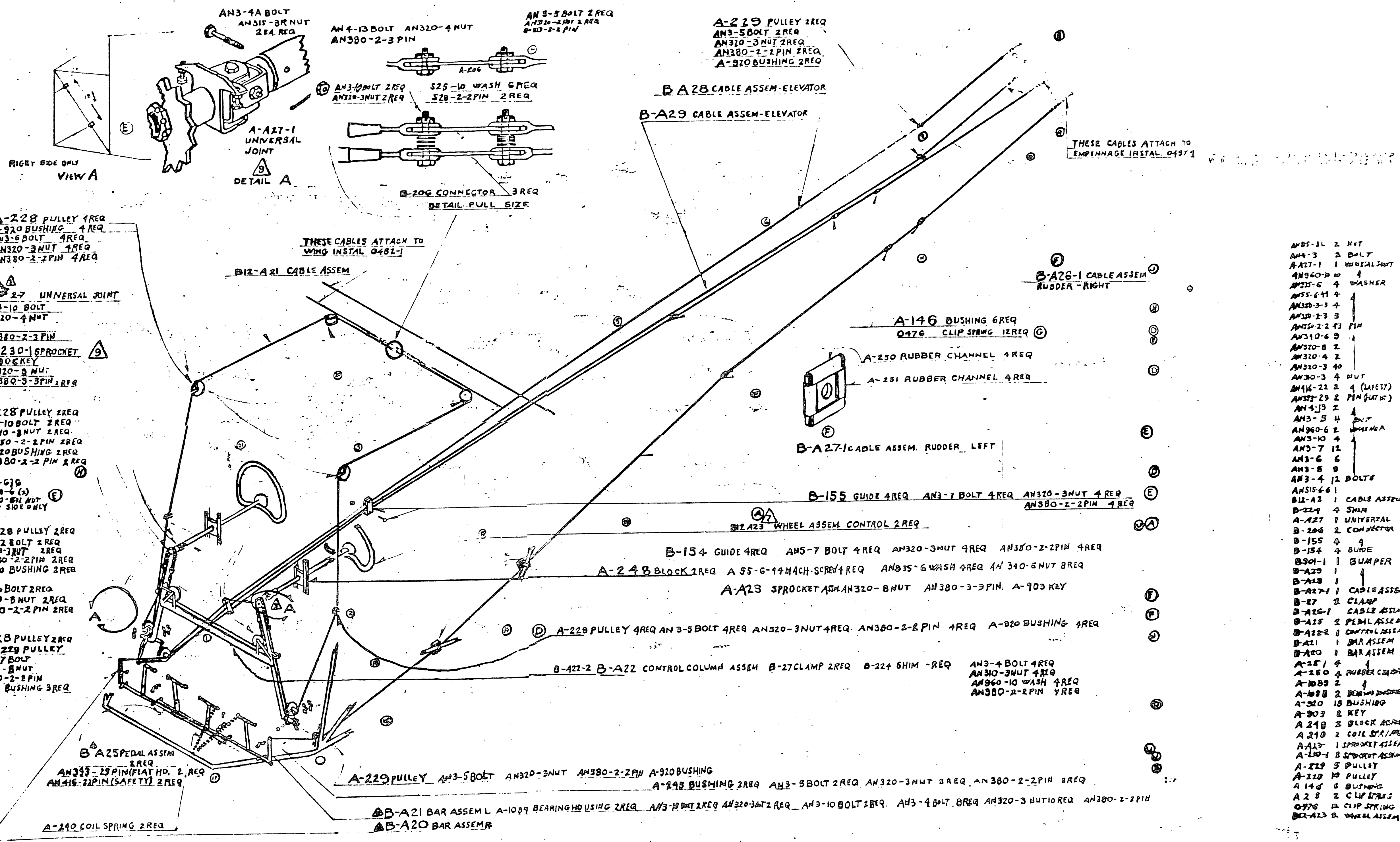
65 HP	TAYLORCRAFT AVIATION CORP. ALL	MANUFACTURED
85 HP	SEE NOTE 7	
BC12	POWER PLANT	

H 2/1/48 0858-3 ADDED

1-9/47

F 1224 ADDED B-669 SPRING CALLOUT 2-3 CH CIR

A 8-22-48



A-228 PULLEY 4REQ
 A-920 BUSHING 4REQ
 AN3-6 BOLT 4REQ
 AN320-3 NUT 4REQ
 AN380-2-2 PIN 4REQ

A-27 UNIVERSAL JOINT
 AN4-10 BOLT
 AN320-4 NUT
 AN380-2-3 PIN
 A-230-1 SPROCKET
 A-906 KEY
 AN320-3 NUT
 AN380-3-3 PIN 1REQ

A-228 PULLEY 2REQ
 AN3-10 BOLT 2REQ
 AN310-3 NUT 2REQ
 AN380-2-2 PIN 2REQ
 AN920 BUSHING 2REQ
 AN380-2-2 PIN 2REQ

AN316-636
 AN901-6 (2)
 AN320-8 NUT
 RIGHT SIDE ONLY

A-228 PULLEY 2REQ
 AN3-2 BOLT 2REQ
 AN320-3 NUT 2REQ
 AN380-2-2 PIN 2REQ
 AN920 BUSHING 2REQ

AN3-10 BOLT 2REQ
 AN320-3 NUT 2REQ
 AN380-2-2 PIN 2REQ

A-228 PULLEY 2REQ
 AN229 PULLEY
 AN3-17 BOLT
 AN320-3 NUT
 AN380-2-2 PIN
 AN920 BUSHING 3REQ

B-A25 PEDAL ASSEM
 2REQ
 AN311-29 PIN (FLAT HD.) 2REQ
 AN416-22 PIN (SAFETY) 2REQ

A-229 PULLEY AN3-5 BOLT AN320-3 NUT AN380-2-2 PIN A-920 BUSHING
 A-248 BUSHING 2REQ AN3-9 BOLT 2REQ AN320-3 NUT 2REQ AN380-2-2 PIN 2REQ

B-A21 BAR ASSEM L A-1089 BEARING HOUSING 2REQ AN3-10 NUT 2REQ AN320-3 NUT 2REQ AN3-10 BOLT 2REQ AN3-4 BOLT 8REQ AN320-3 NUT 10REQ AN380-2-2 PIN

A-240 COIL SPRING 2REQ

B-A20 BAR ASSEM R

B-A28 CABLE ASSEM-ELEVATOR

B-A29 CABLE ASSEM-ELEVATOR

THESE CABLES ATTACH TO
 EMPENNAGE INSTAL. 04971

THESE CABLES ATTACH TO
 WING INSTAL. 0482-1

B-12-A21 CABLE ASSEM

B-A26-1 CABLE ASSEM
 RUDDER - RIGHT

A-146 BUSHING 6REQ
 Q476 CLIP SPRING 12REQ

A-250 RUBBER CHANNEL 4REQ

A-251 RUBBER CHANNEL 4REQ

B-A27-1 CABLE ASSEM. RUDDER LEFT

B-155 GUIDE 4REQ AN3-7 BOLT 4REQ AN320-3 NUT 4REQ
 AN380-2-2 PIN 4REQ

B-12-A23 WHEEL ASSEM. CONTROL 2REQ

B-154 GUIDE 4REQ AN5-7 BOLT 4REQ AN320-3 NUT 4REQ AN380-2-2 PIN 4REQ

A-248 BLOCK 2REQ A-55-6-14 MACH. SCREW 4REQ AN335-6 WASH 4REQ AN340-6 NUT 8REQ

A-A23 SPROCKET ASM AN320-8 NUT AN380-3-3 PIN A-903 KEY

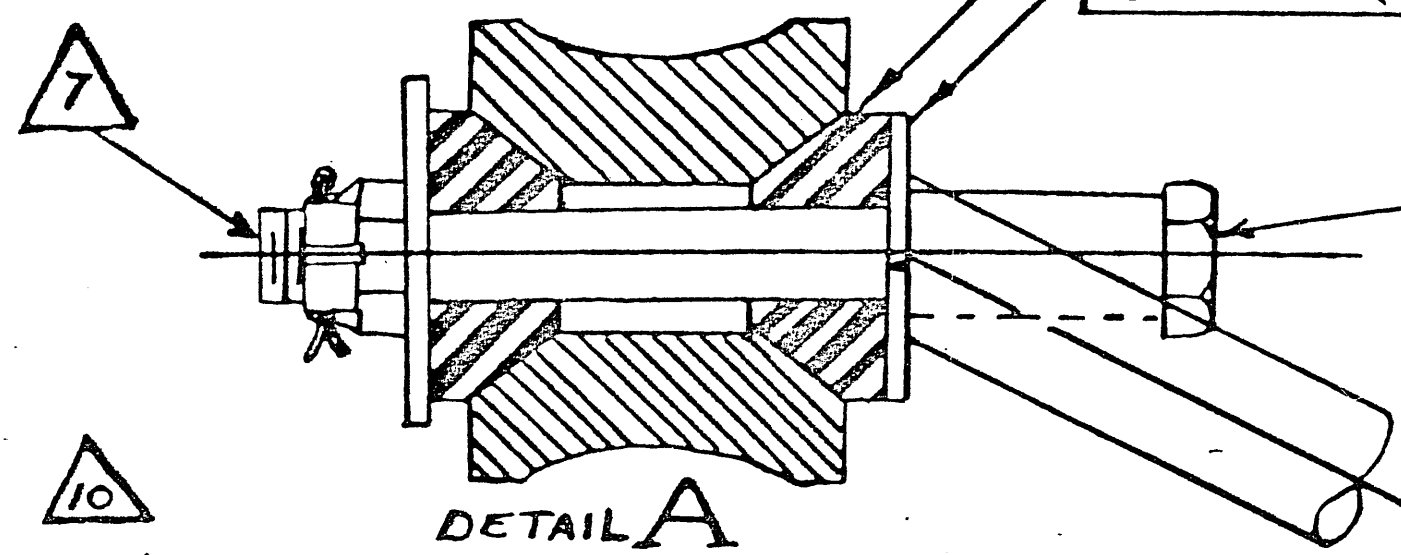
A-229 PULLEY 4REQ AN3-5 BOLT 4REQ AN320-3 NUT 4REQ AN380-2-2 PIN 4REQ A-920 BUSHING 4REQ

B-A22-2 B-A22 CONTROL COLUMN ASSEM B-27 CLAMP 2REQ B-224 SHIM -REQ

AN3-4 BOLT 4REQ
 AN310-3 NUT 4REQ
 AN960-10 WASH 4REQ
 AN380-2-2 PIN 4REQ

- AN5-11 2 NUT
- AN4-3 2 BOLT
- A-A27-1 1 UNIVERSAL JOINT
- AN960-10 4
- AN315-6 4 WASHER
- AN55-6-14 4
- AN320-3-3 4
- AN320-2-3 3
- AN320-2-2 13 PIN
- AN340-6 3
- AN320-8 2
- AN320-4 2
- AN320-3 40
- AN30-3 4 NUT
- AN416-22 2 4 (SAFETY)
- AN327-29 2 PIN (SAFETY)
- AN4-13 2
- AN3-5 4
- AN960-6 2 WASHER
- AN3-10 4
- AN3-7 12
- AN3-6 6
- AN3-8 9
- AN3-4 12 BOLTS
- AN515-6 1
- B-12-A2 1 CABLE ASSEM
- B-12-4 4 SHIM
- A-A27 1 UNIVERSAL
- B-206 2 CONNECTOR
- B-155 4
- B-154 4 GUIDE
- B-901-1 1 BUMPER
- B-A23 1
- B-A28 1
- B-A27-1 1 CABLE ASSEM
- B-E7 2 CLAMP
- B-A26-1 1 CABLE ASSEM
- B-A25 2 PEDAL ASSEM
- B-A22-2 1 CONTROL ASSEM
- B-A21 1 BAR ASSEM
- B-A20 1 BAR ASSEM
- A-25 1 4
- A-250 4 RUBBER CHANNEL
- A-1089 2
- A-1088 2 BEARING HOUSING
- A-320 10 BUSHING
- A-303 2 KEY
- A-248 2 BLOCK ASM
- A-240 2 COIL SPRING
- A-A23 1 SPROCKET ASSEM
- A-120-1 8 SPROCKET ASSEM
- A-229 5 PULLEY
- A-228 10 PULLEY
- A-146 6 BUSHING
- A-28 2 CLIP SPRING
- Q-976 12 CLIP SPRING
- B-A23 2 WHEEL ASSEM

22587 CONE }
 21530 WASHER } REF. CONT. PARTS
 8 EA. REQ. } FURNISHED WITH ENGINE



AN6-34 BOLT
 AN310-6 NUT
 AN360-3-3 PIN
 4 EACH REQD.

- NOTES: 1. FOR C.A. REF. ONLY, MATZ #8 OR C.A. APPROPQ. V.
 2. WHATEVER AN OR EQUIV. BOLT & NUT IS CALLED MATCHING AN OR EQUIV. WASHERS (1 MAX.) MAY BE USED *
 3. SPEC. NO. AND FINISH NO. ARE TYP. STANDARD *
 4. ALL AN SPEC. TO LATEST REV. UNLESS NOTED.
 5. *ACTS AS INDICATES - UNLESS OTHERWISE STATED.
 6. ALL SAFETY USE TO SPEC. NO. 112.
 A DRAW UP NUTS ON AN6 BOLTS TO A TORQUE OF FROM 65 TO 75 IN. LBS. (REF. CONTINENTAL MEMO REPORT #5010)
 B PROPELLER SHAFT HUB & EXPOSED WELD PARTS NOT PROPERLY RUST PROOFED TO BE COATED WITH PAR-AL-KETONE "B" OR EQUIVALENT THINNED WITH EQUAL PARTS OF LEAD FREE GASOLINE.
 C FASTEN WITH 1/2 INCH FRICTION TAPE - 6 WRAPS.
 D ALTERNATE ENGINE, 0400-195 (CONTINENTAL A65-8F) FLANGED CRANKSHAFT.
 E 0980-2, MODEL BC12D85 USE 2575 INSTEAD OF 0966-1 USE C-85 ENGINE IN PLACE OF A-65 AS DETAILED

B-9093 ENGINE (CONTINENTAL A65-8)
 [FOR AIRCRAFT MODEL BC12D85 ENGINE CONTIN. C85-8, C85-8F]

SECTION THRU RUBBER MOUNTING FULL SIZE

BC-A157 MOTOR MOUNT
 B-A755 SHAFT ASSEM. - TACHOMETER. C

B-A146 FUSELAGE (REF.)

AN5-31 BOLT
 AN310-5 NUT
 AN382-2-2 PIN
 4 EACH REQD.

OIL PRESSURE LINE B-A706

FIREWALL (REF.)

OIL TEMP. BULB (REF.)

AN900-10 GASKET (REQD.) C

B-610 OIL BREATHER TUBE
 B-611 HOSE
 BC-909 CLAMP 2 REQ.

0980

		PART NO.			UNIT	M.T.R.L.	
C	-	B-A755	1	SHAFT-ASSEM.			
	-	AN900-10	1	GASKET			
		TAPE FRKT		1/2 x 40			
B	-	B6-909	2	CLAMP			
	-	B-611	1	HOSE			
	-	B-610	1	TUBE-OIL BREATHER			
	-	B-A706	1	OIL PRESS. LINE			
	-	BC-A157	1	MOUNT			
	-	AN380-3-3	4	PIN			
	-	AN380-2-2	4	PIN			
	-	AN310-6	4	NUT			
	-	AN310-5	4	NUT			
	-	AN6-34	4	BOLT			
	-	AN5-31	4	BOLT			
	-	BC-L637	1	COOLING INSTAL.			
D	-	BC-L630	1	AT EXHAUST INST.			
	-	B-9093	1	ENGINE - CONT.			
	0980-1	0966-1	1	FUEL INSTALL.			
E	-	0868-1	1	ENGINE INSTALL.			

REV.	DATE	REVISION	SERIAL NO.	FIRST USED	ZONE	BY	CHKD.
E	1/31/48	MODEL BC12D85 & CONTINENTAL C85-8 & C85-8F ADDED			2A	KT	HN
D	5/27/46	B-9093 WAS A-65-B NOTE 10 ADDED			1-3	AK	EM
C	7/29/48	ADD. B-A755			7-2	ACB	CIA
B	11/30/45	ADD OIL TEMP. BULB & AN900-10			1-4	JAS	CIA
A	9-4-48	B-A706 WAS DCA7081-EO 9399			1-4	LAG	CIA
		REVISED DWG OF REATHER LINE & ADDED NOTE 9			2A	LDS	EM.

TAYLORCRAFT AVIATION CORP. ALLIANCE O.
 LIMITS ON DIMS
 A. FRACTIONAL
 B. DECIMAL
 C. ANGLES
 D. DECIMALS
 E. ANGLES
 F. DECIMALS
 G. ANGLES
 H. DECIMALS
 I. ANGLES
 J. DECIMALS
 K. ANGLES
 L. DECIMALS
 M. ANGLES
 N. DECIMALS
 O. ANGLES
 P. DECIMALS
 Q. ANGLES
 R. DECIMALS
 S. ANGLES
 T. DECIMALS
 U. ANGLES
 V. DECIMALS
 W. ANGLES
 X. DECIMALS
 Y. ANGLES
 Z. DECIMALS
 AA. ANGLES
 AB. DECIMALS
 AC. ANGLES
 AD. DECIMALS
 AE. ANGLES
 AF. DECIMALS
 AG. ANGLES
 AH. DECIMALS
 AI. ANGLES
 AJ. DECIMALS
 AK. ANGLES
 AL. DECIMALS
 AM. ANGLES
 AN. DECIMALS
 AO. ANGLES
 AP. DECIMALS
 AQ. ANGLES
 AR. DECIMALS
 AS. ANGLES
 AT. DECIMALS
 AU. ANGLES
 AV. DECIMALS
 AW. ANGLES
 AX. DECIMALS
 AY. ANGLES
 AZ. DECIMALS
 BAA. ANGLES
 BAB. DECIMALS
 BAC. ANGLES
 BAD. DECIMALS
 BAE. ANGLES
 BAF. DECIMALS
 BAG. ANGLES
 BAH. DECIMALS
 BAI. ANGLES
 BAJ. DECIMALS
 BAK. ANGLES
 BAL. DECIMALS
 BAO. ANGLES
 BAP. DECIMALS
 BAQ. ANGLES
 BAR. DECIMALS
 BAS. ANGLES
 BAT. DECIMALS
 BBA. ANGLES
 BBB. DECIMALS
 BBC. ANGLES
 BBD. DECIMALS
 BBE. ANGLES
 BBF. DECIMALS
 BBG. ANGLES
 BBH. DECIMALS
 BBI. ANGLES
 BBJ. DECIMALS
 BBK. ANGLES
 BBL. DECIMALS
 BBO. ANGLES
 BBP. DECIMALS
 BBQ. ANGLES
 BBW. ANGLES
 BBX. DECIMALS
 BBY. ANGLES
 BBZ. DECIMALS
 BBA. ANGLES
 BBB. DECIMALS
 BBC. ANGLES
 BBD. DECIMALS
 BBE. ANGLES
 BBF. DECIMALS
 BBG. ANGLES
 BBH. DECIMALS
 BBI. ANGLES
 BBJ. DECIMALS
 BBK. ANGLES
 BBL. DECIMALS
 BBO. ANGLES
 BBP. DECIMALS
 BBQ. ANGLES
 BBW. ANGLES
 BBX. DECIMALS
 BBY. ANGLES
 BBZ. DECIMALS
 BBA. ANGLES
 BBB. DECIMALS
 BBC. ANGLES
 BBD. DECIMALS
 BBE. ANGLES
 BBF. DECIMALS
 BBG. ANGLES
 BBH. DECIMALS
 BBI. ANGLES
 BBJ. DECIMALS
 BBK. ANGLES
 BBL. DECIMALS
 BBO. ANGLES
 BBP. DECIMALS
 BBQ. ANGLES
 BBW. ANGLES
 BBX. DECIMALS
 BBY. ANGLES
 BBZ. DECIMALS
 BBA. ANGLES
 BBB. DECIMALS
 BBC. ANGLES
 BBD. DECIMALS
 BBE. ANGLES
 BBF. DECIMALS
 BBG. ANGLES
 BBH. DECIMALS
 BBI. ANGLES
 BBJ. DECIMALS
 BBK. ANGLES
 BBL. DECIMALS
 BBO. ANGLES
 BBP. DECIMALS
 BBQ. ANGLES
 BBW. ANGLES
 BBX. DECIMALS
 BBY. ANGLES
 BBZ. DECIMALS

0980